

## Single Obstruction Light



- > The unique design of the glass provides an enhanced LED-performance and 360° visibility
- > Modern SMS-LED technology
- > Corrosion-resistant

### Typical Application



### Low Intensity Obstruction Light (ICAO Type B)

The DWT-OBS-LED S single obstruction light is ideal for indicating potential obstructions and thus avoids threats to aviation. Because of the different power supply options, appropriate positions can be found for it in almost all applications.

Permanent-on or flashing versions available.

## Double Obstruction Light

The DWT-OBS-LED S Double Obstacle Warning Light is identical to the single version, but if the main lamp fails, the stand-by lamp is automatically switched on (optional).



The yellow body shown in the picture above is a customised version - it is a non-standard version.

### MECHANICAL CHARACTERISTICS

<b>Material</b>	
Housing	Aluminum
Hardware	Stainless Steel
Optic	Glass
<b>Mounting</b>	
	Threaded 1" NPT and 3/4" NPT bottom hub (adaptor included)
<b>Operating Temperature</b>	
	-55° C to + 55°C
<b>Height</b>	
Single	283 mm
Double	369 mm
<b>Width</b>	
	395 mm
<b>Diameter Single = Lenght Double</b>	
	147 mm
<b>Protection Class</b>	
	IP65

Corrosion resistant integrated LEDs

### ELECTRICAL CHARACTERISTICS (DEPENDENT ON VERSION)

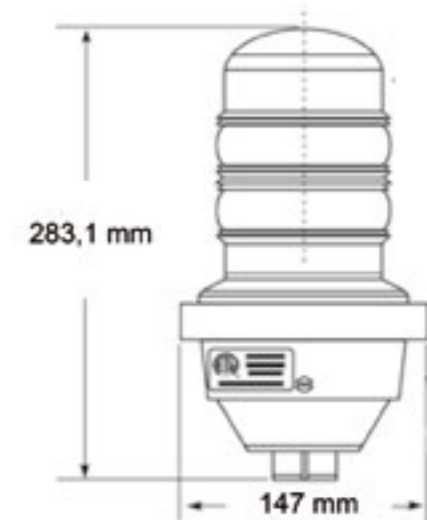
<b>Nominal Operating Voltage</b>	
	◦ 220 VAC (50/60 Hz)
	◦ 120 VAC
	◦ 48 VDC
	◦ 24 VDC
	◦ 12 VDC
<b>Power Consumption</b>	
220 V Version	14,5 W (17 W max)
12 V Version	24,5 W (29 W max)
24 V Version	22 W (29 W max)

Modern SMD-LED technology

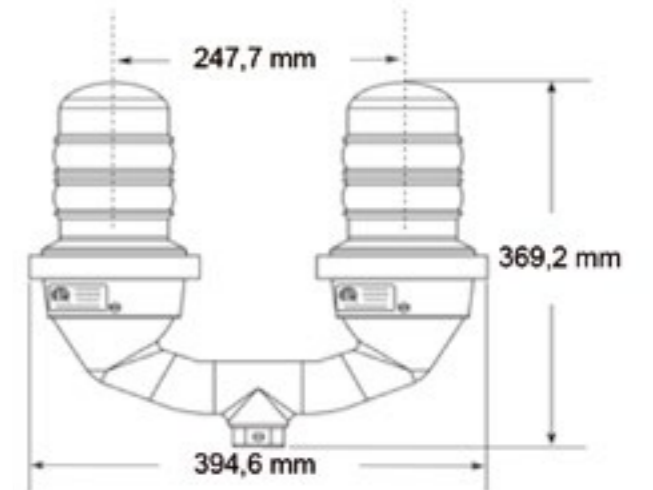
### OPTICAL CHARACTERISTICS

<b>Light Source</b>	High Power LEDs
<b>Light Color</b>	Red (others optional)
<b>Light intensity Type B</b>	> 50 Candela
<b>Horizontal Output</b>	360°
<b>Vertical Divergence</b>	- 10° to + 20°
<b>Flashing</b>	Optional with control

### DIMENSIONS SINGLE OBSTRUCTION LIGHT



### DIMENSIONS DOUBLE OBSTRUCTION LIGHT



### PHOTOMETRY (ISOTROPIC INTENSITY CHART)

