

LED Medium-Intensity Elevated Light



- > EcoLed LED Lamp
- > Simple but sturdy design
- > Better luminous flux achieved by special colored glass dome for LED
- > Easy installation and maintenance

Typical Application



Taxiway Edge, Apron Edge/
 Boundary Marking of Touchdown
 and Lift-off Area

DWT-LODO LED MK II offers three modes of brightness connected to the regulation. The color is fully obtained by LED color. The tightness is guaranteed by a special system. The LED lamps are characterized by long life and even light distribution. The light meets the requirements for Protection Class IP 55.



Available in a range of colors:
 Green, Blue, White, Orange.
 Illustrations show optional daylight cone.

Compliant to:
 ✓ ICAO Annex 14

PHYSICAL CHARACTERISTICS

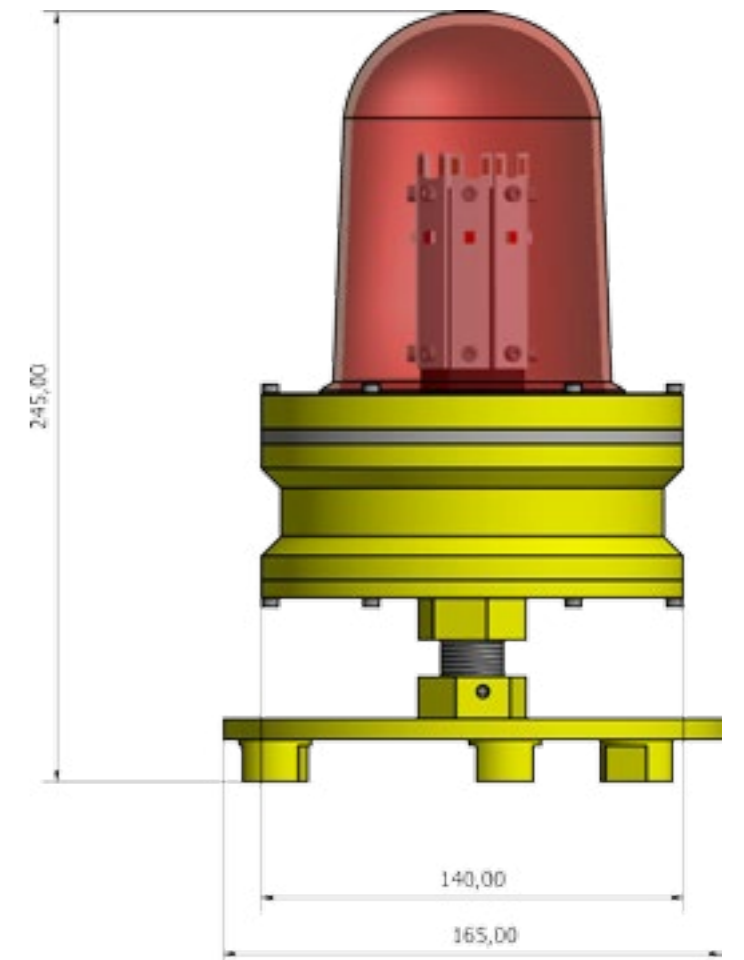
Material	Aluminum
Body	Glass
Optic	Yellow RAL 1021
Body Color	Yellow RAL 1021
Dimensions	
Height	245 mm
Diameter	140 mm
with mounting plate	165 mm
Weight	2.45 kg
Mounting	Via mounting plate
Protection Class	IP55

ELECTRICAL CHARACTERISTICS (DEPENDENT ON VERSION)

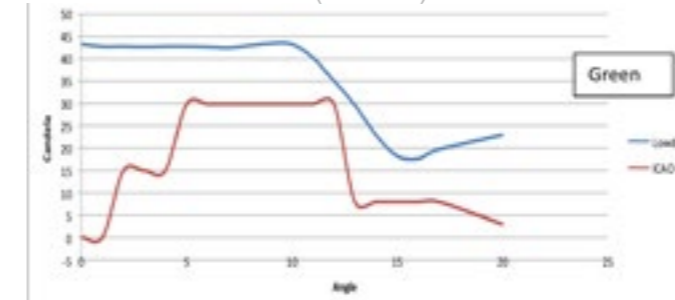
Power supply	<ul style="list-style-type: none"> ◦ 24 to 48 V DC ◦ 110 to 230 V AC ◦ 6.6 A
Power consumption	10 to 20 W

OPTICAL CHARACTERISTICS (DEPENDENT ON VERSION)

Intensities	10%, 30%, 100% with power supply
Available Light Colors	<ul style="list-style-type: none"> ◦ Red ◦ Green ◦ Blue ◦ White ◦ Orange



PHOTOMETRY TLOF (GREEN)



PHOTOMETRY F.A.T.O. / APPROACH (WHITE)

