

Power Supply for DWT-HIN Lights

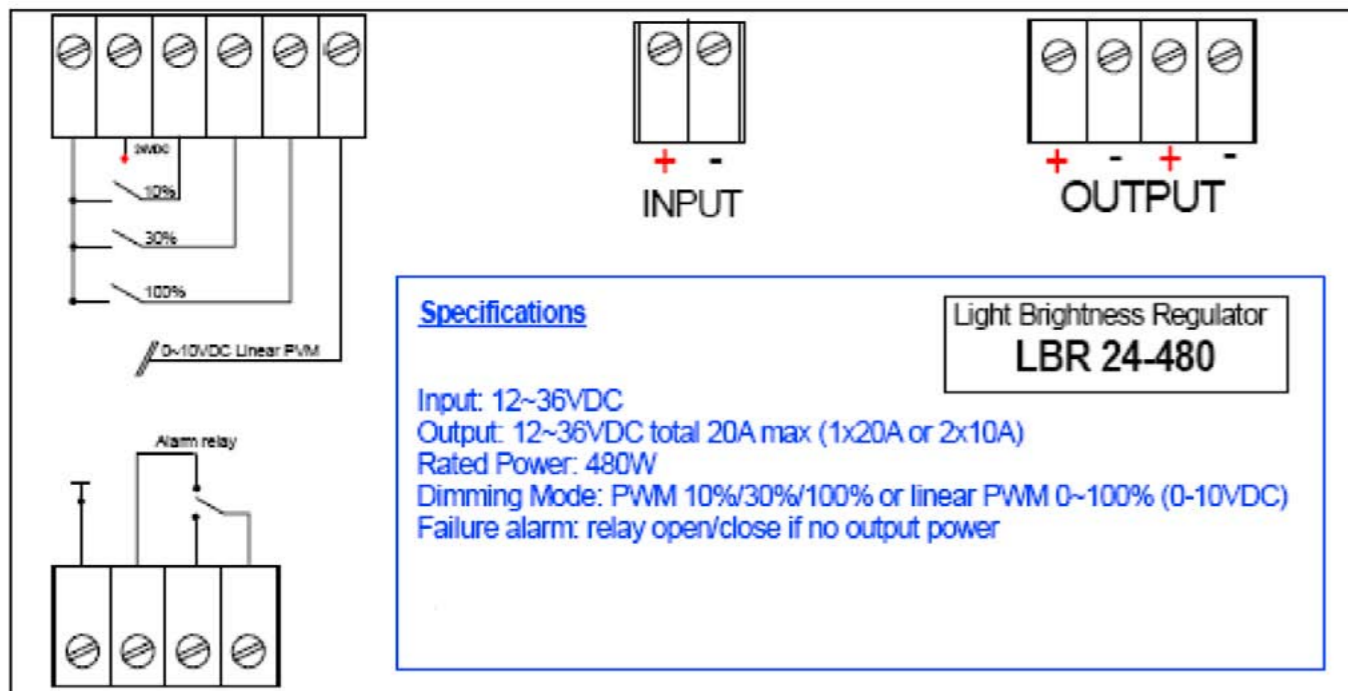


- > Minimum of space required
- > Simplifies the whole electrical equipment
- > 3 modes of brightness or linear
- > Alarm in case of failure
- > Possibility to be operated by a radio control system

ELECTRICAL CHARACTERISTICS PRINCIPAL REGULATOR WITH AC / DC CONVERTER

Input	<ul style="list-style-type: none"> ◦ 230 V AC 50/60 Hz ◦ 110 V AC
Output	24 V DC
Brightness	<ul style="list-style-type: none"> ◦ 3 modes of brightness: 10 %; 30 %; 100 % ◦ Linear 0-100% (with 0...10V DC)
Safety	Input and output overload
Regulation	PWM
Rated Power	480 W

The power supply *DWT-LBR 24-480* can be used with lights *DWT-HIN 150* and *DWT-HIN 8 MK II*. Its small dimensions allow installation in a conventional distribution box.



Mounting Base for DWT-HIN Lights

The mounting base can be used for installation of the lights *DWT-HIN 150* and *DWT-HIN 8 MK II*. Three screws connect and lock the light, which can be replaced with a minimum of time and effort.

PHYSICAL CHARACTERISTICS

Material	V2A
Protection Class	IP 68
Projection	0 mm
Installation Depth	100
Diameter	160
Weight	0.72 kg

