

## Halogen Floodlight

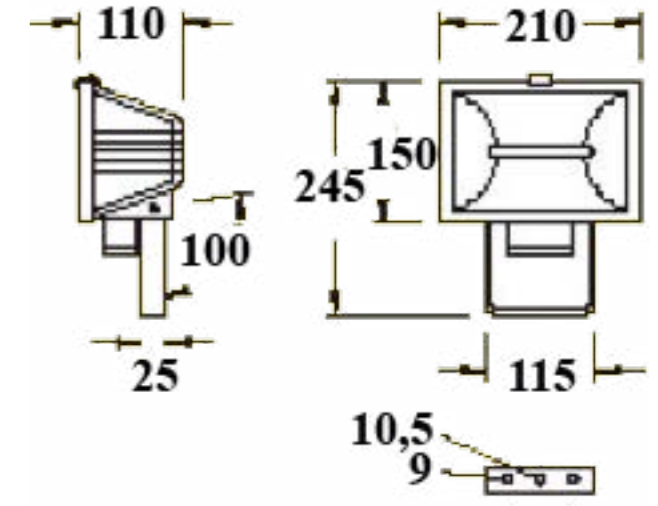


- > Aluminum diecast
- > Axially symmetrical aluminum reflector
- > Heat-resistant safety glass
- > Fasteners and fixing clip made of stainless steel
- > Frame can be folded away

### PHYSICAL CHARACTERISTICS

<b>Body Material</b>	Aluminum
<b>Color Cover</b>	Red
<b>Dimensions</b>	
Height	245 mm
Width	210 mm
Length	110 mm

Floodlight can be mounted on a pole for elevation, if necessary.



### Typical Application



### Lighting of Landing and Parking Area

The halogen floodlight DWT-HS evenly illuminates the helideck.

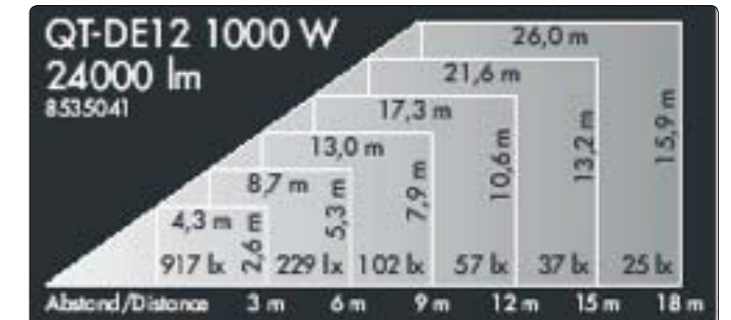
The solid, thermally-optimized construction ensures a long operational life of lamp and reflector.

Dazzling of pilots and crew members is avoided by a three-sided and red powder-coated cover.

All floodlights near the airfield are equipped with a frangible coupling. To improve recognition during daylight, there is the option to mount a daylightcone (DWT-TSS).

### ELECTRICAL CHARACTERISTICS (DEPENDENT ON VERSION)

<b>Power supply</b>	230 V AC
<b>Power consumption</b>	<ul style="list-style-type: none"> <li>◦ 150 W</li> <li>◦ 500 W</li> <li>◦ 1000 W</li> <li>◦ 2000 W</li> </ul>



### OPTIONAL FITTINGS

- Tripod
- Daylight cone
- Screen protection (grid)
- Stand pipe up to 1200 mm



### Available in:

- ✓ 150 Watt (DWT-HS 150)
- ✓ 500 Watt (DWT-HS 500)
- ✓ 1000 Watt (DWT-HS 1000)
- ✓ 2000 Watt (DWT-HS 2000)

