

Solar-powered Heliport Floodlight



- > Low profile to suit industry requirements
- > High intensity, energy efficient LEDs
- > Solar powered for autonomous operation
- > Worldwide 2.4 GHz Encrypted RF Radio Control
- > User-replaceable battery

Typical Application



Lighting of Landing and Parking Area

This solar-powered, wireless controlled LED floodlight has been specifically designed for helipads to provide uniform surface lighting where the TLOF and FATO lights need to be supplemented with floodlighting. It offers a solar-powered, LED based solution to the ICAO touchdown and lift-off area perimeter floodlights.

The self-contained solar powered light has an integrated solar and battery system, which means it can be installed in locations which do not have access to reticulated power - allowing safe illumination without the need to lay costly cabling or utilise generators.

Housed in a weatherproof, powder-coated Aluminum enclosure to withstand the harshest of environments, the complete assembly has a low profile of less than 25 cm and mounts to frangible points. The LED optic is specifically designed for helipad operations and distributes the light evenly across the wide helipad surface.

The angle of tilt of the LED luminaire can be easily adjusted to focus the light on the helipad to maximise illumination. The optic hood further prevents potential glare to pilots upon approach. Each unit is equipped with an external charging port by default.

Fittings / Options:

- ✓ Pilot Activated Control
- ✓ Mains Power

Height Compliant to:
 ✓ ICAO Annex 14

PHYSICAL CHARACTERISTICS

Material	
Body	Aluminum, 7-stage powder-coated
Optics	LEXAN® Polycarbonate, UV-stabilized
Body Color	Aviation Yellow
Dimensions Battery Housing	
Length	674 mm
Width	332 mm
Height	< 250 mm
Dimensions Light Unit	
Length	406 mm
Width	230 mm
Height	250 mm
Protection Class	IP68
Weight	approx. 18,4 kg
Mounting	Frangible coupling with base plate
Temperature Range	- 40 to + 80 °C
Wind Speed	Up to 160 kph

OPTICAL CHARACTERISTICS

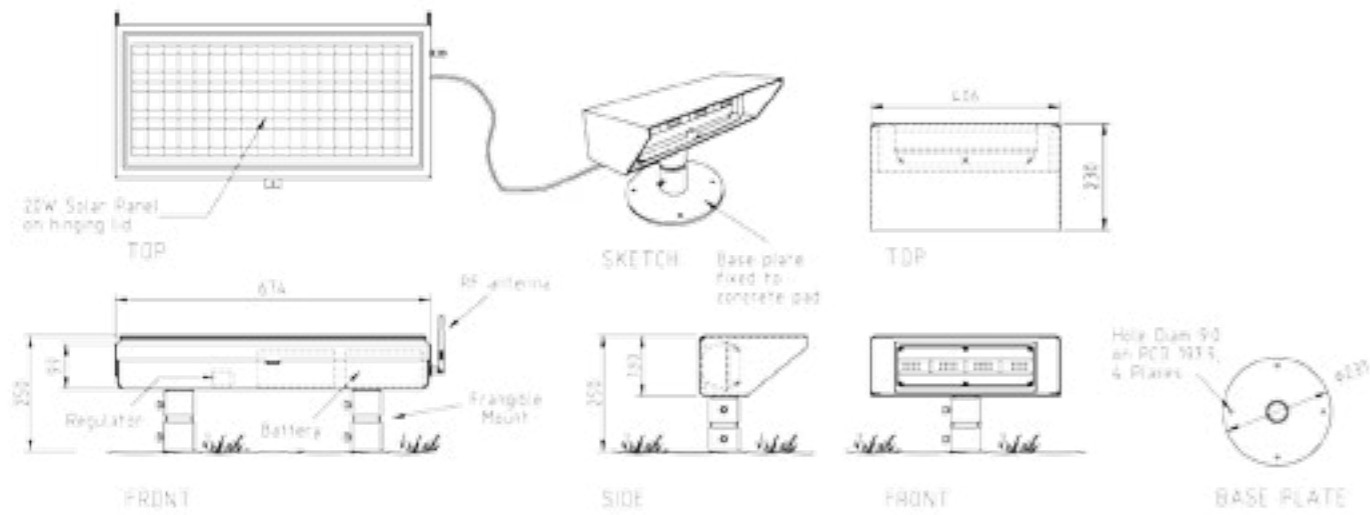
Light Source	LED
Light Colors	White Others on request

ELECTRICAL CHARACTERISTICS

Operating Voltage	12 V
Battery Capacity	18 Ah, rechargeable SLA-Battery
Circuit Protection	Integrated
Solarpanel	
Type	Multicrystalline
Output	20 W
Efficiency	14 %
Charging Regulation	Microprocessor-controlled
Frequency Radio Control	2,4 GHZ ISM Band

Solar-powered Heliport Floodlight

DIMENSIONS



Avlite's solar powered floodlight utilizes the same wireless controller as the AV-425-RF and AV-70-RF models. This allows the single Avlite controller to control multiple Avlite fixtures including the solar range of; taxiway lights, approach lights, obstruction lights, lighted windsock and other products.

All fixtures, including the floodlight, can be wirelessly operated independently of each other or controlled as a single group.

